

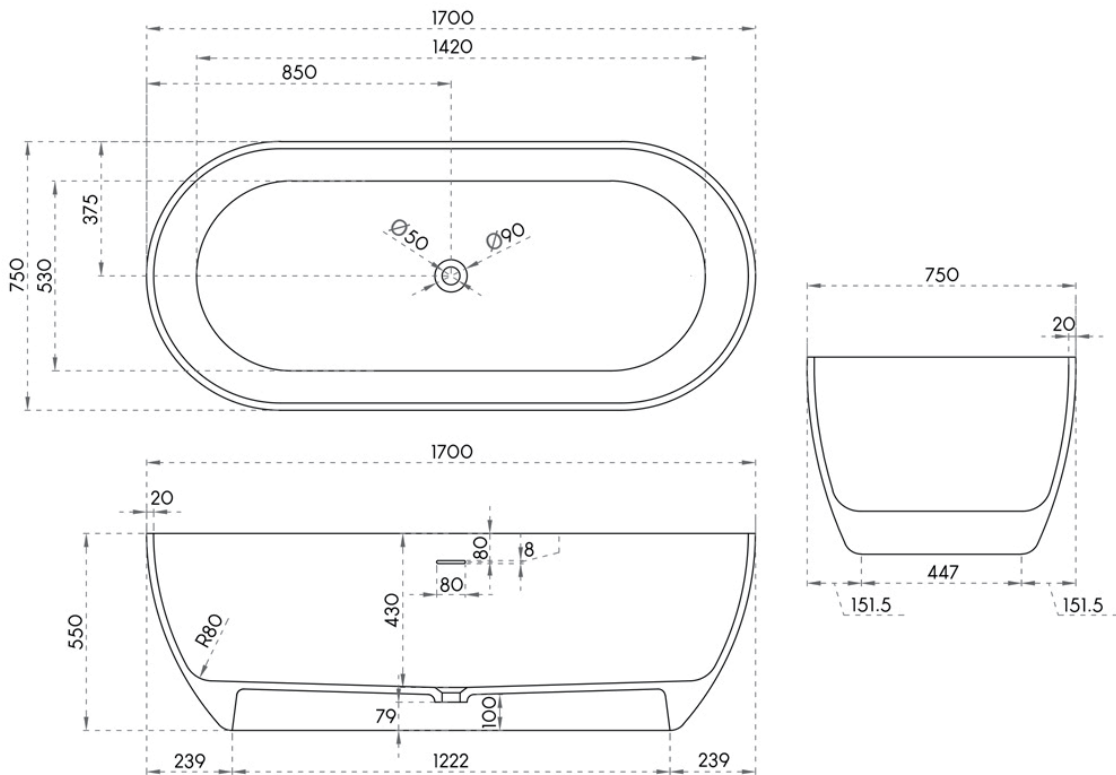
SPECIFICATION SHEET



ARUVO™ TONKA 1700 Freestanding Bath

SKU: BTH-ARCS-8501 TONKA 1700

Material	Composite Stone
Installation	Freestanding
Width	1700mm
Depth	750mm
Height	550mm
Weight	176KG
Waste Size	40mm
Overflow	Yes
Colour	White
Finish	Matte



Luxurious, Smooth and Velvety to Touch



Stain, Mould and Bacteria Resistant



Highly Durable



7 Year Warranty



www.toptilebathrooms.co.nz

Dimensions are approximate.
Refer to www.toptilebathrooms.co.nz/warranty for full warranty details.

ARUVO™
add style to your bathroom.

Perfect for You