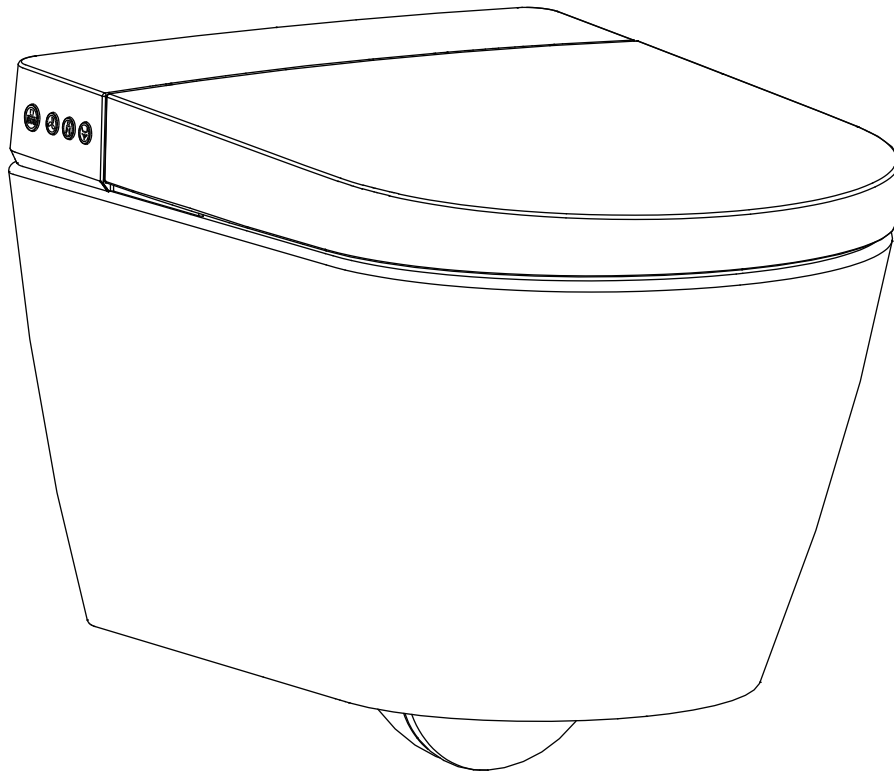


Elevate Your Bathroom Experience



User Manual

ELYSIA

Intelligent Toilet Suite

SKU: STO-G5

Thank you for choosing our product. Please read the instructions carefully before installation and keep it available for future maintenance or reference.

CONTENT

Specification Parameters

Safety instructions	01
Technical specification	03
Parts identification	05

Maintenance

Maintenance	06
1. Main unit care and maintenance	
2. Spray nozzle care and maintenance	
3. Filter maintenance	
Maintenance Precautions	07
Emergency troubleshooting	08
1. Power and water failure	
2. Failure of remote control	

Others

Description of the button function	09
Troubleshooting guide	10
Warranty card	11

SAFETY INSTRUCTIONS

When using electrical products, especially when children are present, basic safety precautions should always be followed, including the following:

1. The appliance is not to be used by persons (including children) with reduced physical, sensory or mental capabilities, or lack of experience and knowledge, unless they have been given supervision or instruction.
2. This appliance can be used by children aged from 8 years and above and persons with reduced physical, sensory or mental capabilities or lack of experience and knowledge if they have been given supervision or instruction concerning use of the appliance in a safe way and understand the hazards involved.
3. Children shall not play with the appliance.
4. Cleaning and user maintenance shall not be made by children without supervision.

READ ALL INSTRUCTIONS BEFORE USING



DANGER – To reduce the risk of electrocution:

1. Do not place or store product where it can fall or be pulled into a tub or sink.
2. Do not place in or drop into water or other liquid.
3. Do not reach for a product that has fallen into water. Unplug immediately.
4. Do not wash the main unit or electrical plug with water or detergent.
5. Do not handle the electrical plug with wet hands.
6. Never block the outlet of the air dryer.
7. Never disassemble, repair or modify this product.
8. During installation, disassembly, repair and maintenance of the product, the power plug must be switched off and water supply be shut off.



WARNING – To reduce the risk of burns, electrocution, fire, or injury to persons.

1. Close supervision is necessary when this product is used by, on, or near children or individuals with disabilities.
2. Use this product only for its intended use as described in this manual. Do not use attachments not recommended by the manufacturer.
3. Never operate this product if it has a damaged cord or plug, if it is not working properly, if it has been dropped or damaged, or dropped into water. Return the product to a service center for examination and repair.
4. Keep the cord away from heated surfaces.
5. Never use while sleeping or drowsy.
6. Never drop or insert any object into any opening or hose.
7. Do not use outdoors or operate where aerosol (spray) products are being used or where oxygen is being administered.
8. Connect this product to a properly grounded outlet only. See Grounding Instructions.
9. Do not throw cigarettes and other burning materials into toilet, otherwise it might cause fire.
10. This product is an electric appliance, so it must be placed far away from water and other liquid.
11. Do not lay the product on its side or upside down during the electrical circuit.
12. It is prohibited to use other electric appliances in the same socket.
13. It is forbidden to use the power extension or unstable loose outlet.
14. Do not reuse any existing water supply hoses, otherwise it might cause leakage, fire or electrical shock. Installation should include specified components and a new water supply hose.



IMPORTANT SAFETY INSTRUCTIONS



CAUTION – Failure to follow the instructions may cause bodily injury or property damage.

1. Do not install or use the product in wet places such as a steam room etc.
2. It is recommended to use water-proof electrical outlet which should be installed in a place where is not easily to get wet.
3. This product should be used with 220V-240V, 50-60Hz electrical current only, load current is at least 10A. Power plug must be equipped with ground fault circuit interrupter or ground fault electrical leakage protector or similar high sensitive, rapid type leakage switch. (Rated sensitive current under 10mA).
4. When it thunders, it is strongly recommended to pull out the power plug.
5. Do not stand on product unit, seat and lid.
6. Do not lean against the lid when using the product, to avoid damage.
7. This product is equipped with a soft-closing seat and lid. Do not push the toilet seat closed, or damage may occur.
8. Do not use any caustic chemicals or scrubbing brush to clean this product.
9. Exposure to direct sunlight is prohibited.
10. Only use tap water or potable water; otherwise it may cause chafing.
11. Do not connect water supply to a hot water supply. Make sure inlet water temperature is between 3~35°C/37.4~95°F.
12. Raise room temperature to prevent the toilet from damage due to freezing.
13. When not using the product over three(3) days, drain the water out of the toilet and pull the electrical plug from the wall outlet.
14. Stop using the product and shut off the power when product malfunctions. Call for professional service.
15. Means for full disconnection must be incorporated in series in the power input loop of the same room where the product is installed, that is at the front end of the fixed wiring to ensure safe use.

GROUNDING INSTRUCTIONS

This product should be grounded. In the event of an electrical short circuit, grounding reduces the risk of electric shock by providing an escape wire for the electrical current. The plug must be plugged into an outlet that is properly installed and grounded.



DANGER – Improper use of the grounding plug can result in a risk of electric shock.

If repair or replacement of the cord or plug is necessary, do not connect the grounding wire to either flat-head terminal.

Check with a qualified electrician or serviceman if the grounding wire instructions are not completely understood, or if in doubt as to whether the product is properly grounded.

This product is factory equipped with a specific electric cord and plug to permit connection to a proper electric circuit. Make sure that the product is connected to an outlet having the same configuration as the plug. No adapter should be used with this product. Do not modify the plug provided – if it will not fit the outlet, please have the proper outlet installed by a qualified electrician. If the product must be reconnected for use on a different type of electric circuit, the reconnection should be made by qualified service personnel.

SAVE THESE INSTRUCTIONS

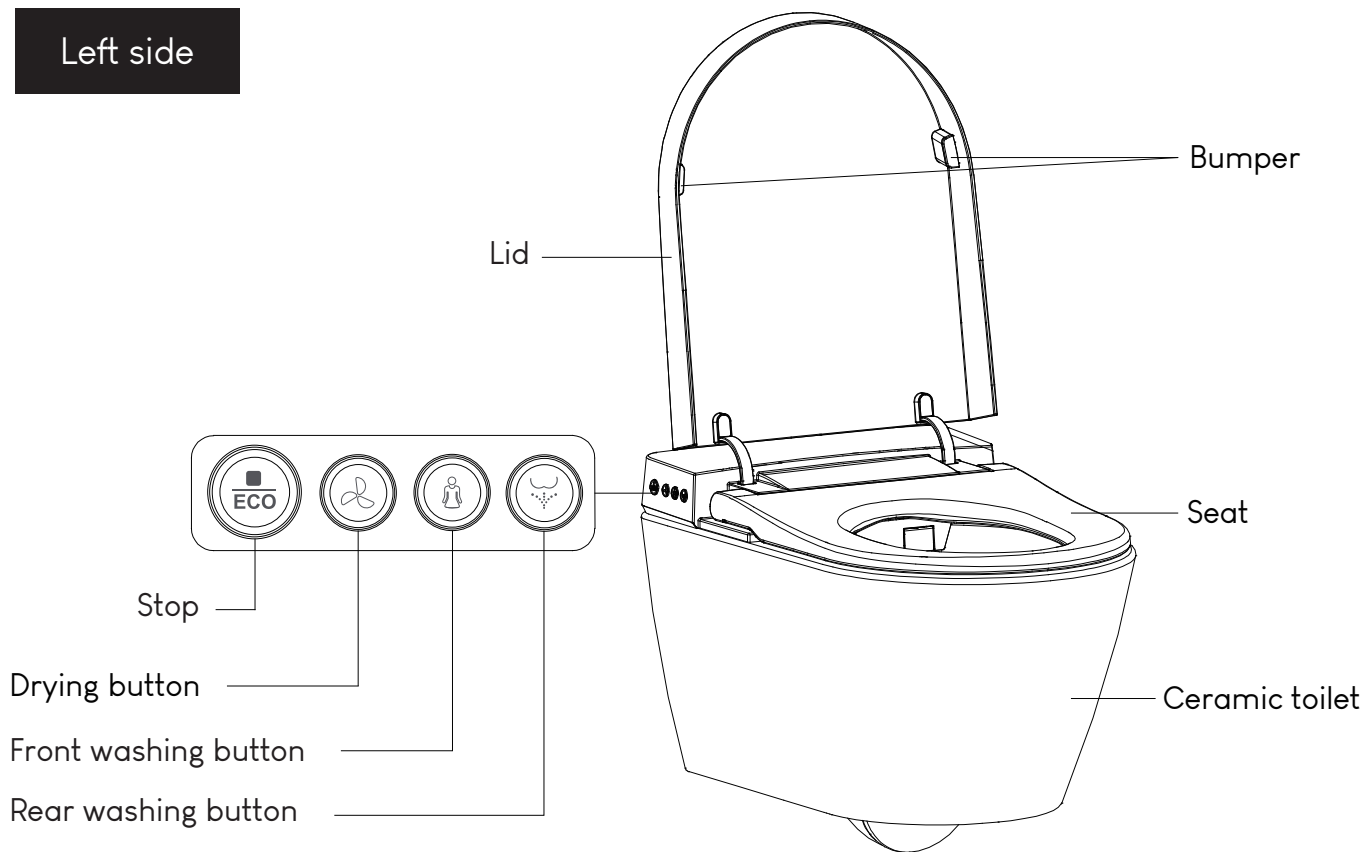
Technical specification

Model		STO-G5	
Main Unit	Rated voltage	220V-240V, 50-60Hz	230V, 50Hz
	Rated power	1080-1130W	1090W
	Water proof	IPX4	
	Water pressure range	0.08MPa - 0.8MPa (static pressure)	
Toilet	Flush volume	4.0L (Full flush 6.0L/Half flush 3.0L)	
	Flushing mode	Washdown	
	Outlet height	212mm	
	Outlet outside diameter	102mm	
	Drainage method	P-trap	
Cleaning device	Heating power	1600W	
	Water temperature	6-level adjustment (Neutral level included)	
	Water volume	3-level adjustment	
	Cleaning function	Rear washing /Oscillating washing, Front washing /Oscillating washing	
	Nozzle position	5-level adjustment	
	Water pressure protector	Flow restrictor	
	Anti-fouling device	Self-cleaning nozzle, filter device, anti-backflow air gap	
	Safety device	Thermal fuse, Water temperature sensor, Ground protection, Thermostat, temperature protection, Leakage protection device	
Drying device	Warm air speed	Over 4m/s	
	Warm air temperature	6-level adjustment (Neutral level included)	
	Heating power	230W	
	Safety device	Thermal fuse, Leakage protection device, Thermostat	
Deodorization	Deodorization method	Diatoms Deodorization	

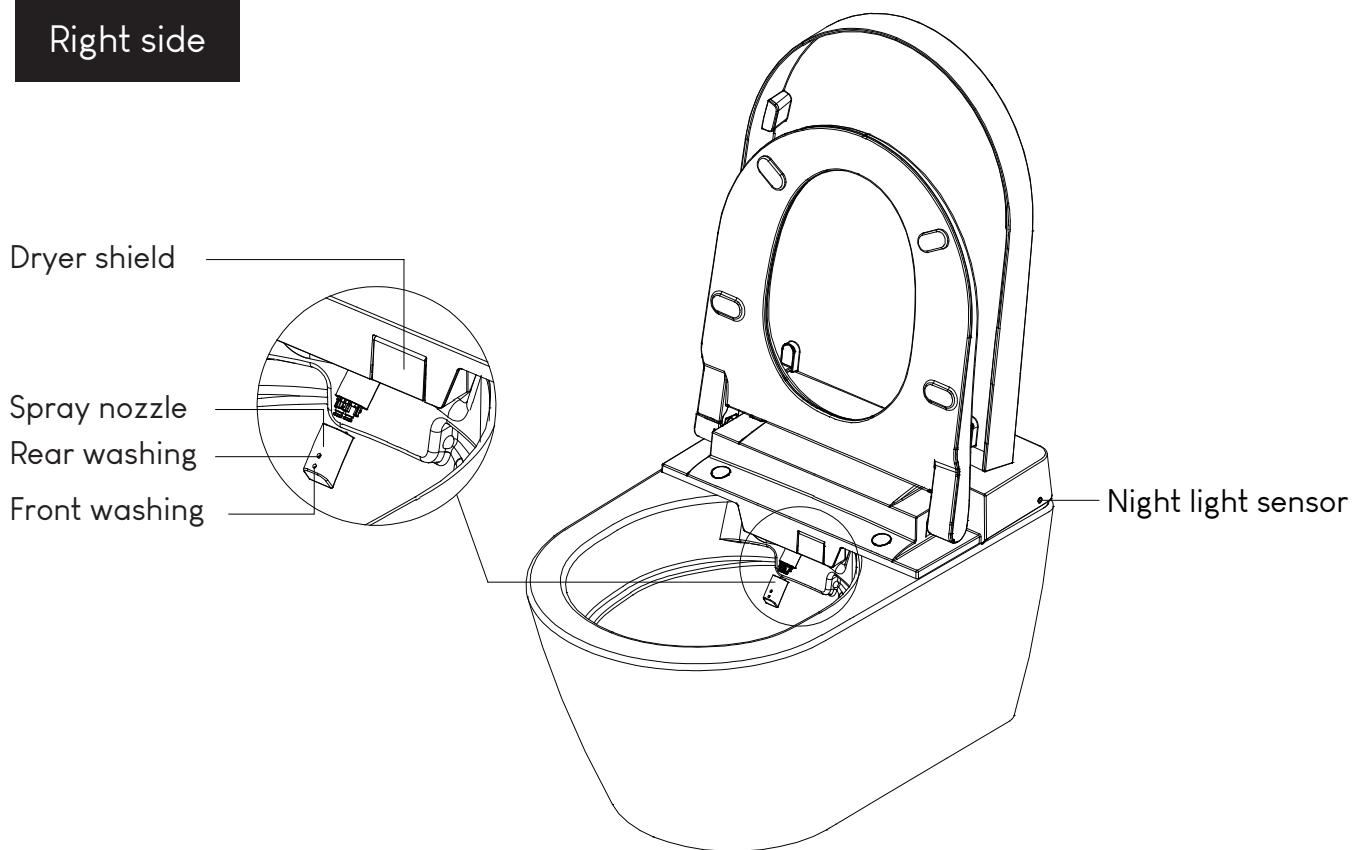
Model		STO-G5
Heated seat	Surface temperature	6-level adjustment (Neutral level included)
	Heating power	50W
	Open and close device	soft-close
	Burn protection	After 10 minutes of use, the seat temperature will automatically drop slowly to a low level
	Safety device	Seat sensor, Temperature sensor, Thermal fuse, Thermostat, Leakage protection device
Caring device	Night light assembly	Intelligent, Always on, Always off
	Noise-free setting	The buzzer is off at night for a quiet environment
	User ID setting	To avoid interference when used by multiple users
	Automatic flushing	Toilet will automatically flush as user walks away from bowl
	Flush by remote control	Use remote control to flush the toilet
Antibacterial site		Seat, Nozzle

Parts identification

Left side



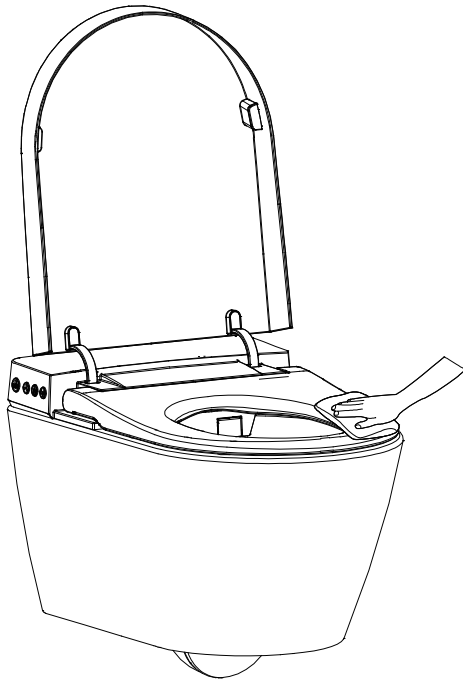
Right side



Maintenance

Main unit care and maintenance

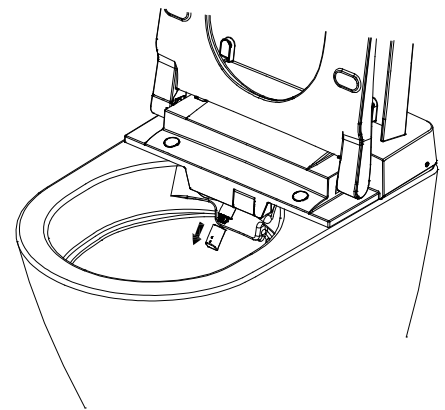
1. Shut off power supply before doing maintenance.
2. Use only a soft, damp cloth to clean. Avoid using harsh chemicals.



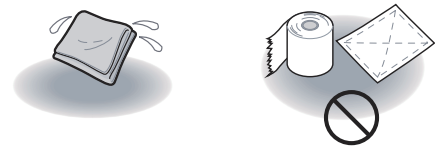
3. Once cleaning is completed and all surfaces are dry, re-connect the power plug.

Spray nozzle care and maintenance

1. When no one is seated, short press "REAR/MOVE" Button on the main unit, the nozzle will automatically stretch out to allow access for cleaning.
2. When the nozzle moves forward, the nozzle can be removed and cleaned separately.



3. Use only a soft cloth or soft brush to clean. Do not pull or push the wand, to avoid damage.



4. Put the nozzle back on and press "Stop" Button to return the spray wand to its normal position.

Note:

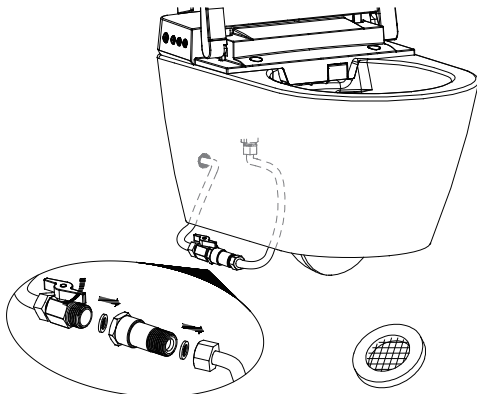
The spray wand will retract automatically after 10 minutes or if the seat is used.

Maintenance Precautions

Filter maintenance

If poor spray performance occurs under normal conditions:

1. Turn off power and ball valve, unscrew water supply hose.

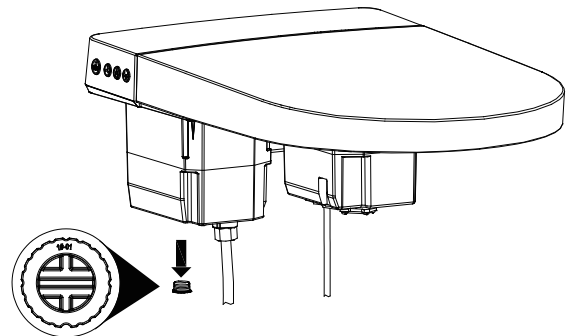


Connect the end of the bidet

2. Remove the filter.
3. Clean out filter under running water.
4. Reinstall filter and water supply hose, turn on ball valve and connect power.

When the bidet malfunctions, maintain it according to the following methods:

1. Drain the water inside the bidet:
 - Press and hold “STOP” button and press “WATER TEMP” button on the remote control.
2. Turn off water and power supply:
 - Turn off ball valve switch and disconnect power.
3. Empty residual water in the tank:
 - Remove fixing screws of bidet and then lift the bidet up (see installation instructions), remove the drain plug and drain the water tank completely.



Drain plug (remove with slotted screwdriver)

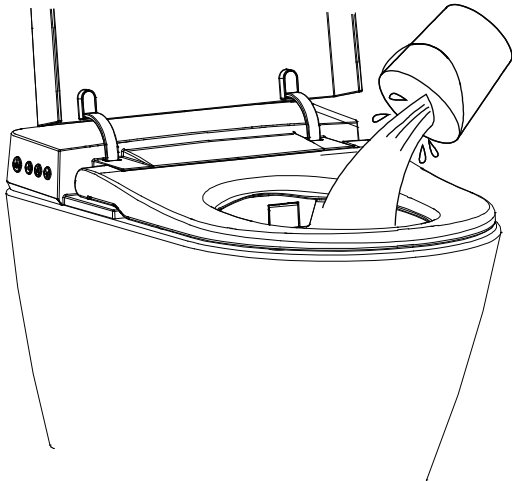
4. Disconnect water inlet hose and coupler before doing maintenance.

Emergency troubleshooting

Power and water failure

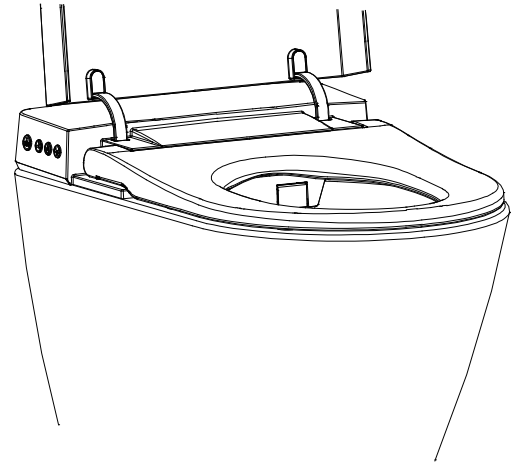
1. Put around 8L water into a barrel and flush the ceramic bowl.

Note: Avoid water spilling from bowl.



Failure of remote control

1. Operate via buttons on the main unit.




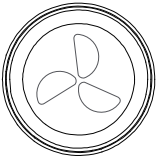


2. Battery replacement

- Remove the remote control from holder.
- Open the battery cover and replace the batteries.
- Put the remote control back.

Note:

After battery replacement, the settings of auto functions and energy saving will be restored to the defaults. Please reset.


Description of the button function

Description of the button function	
	<ol style="list-style-type: none"> 1. Press Stop Button for longer than 3 seconds to enter shutdown mode (red light off). Press Stop Button again to return to functional mode (red light on). In shutdown mode, all functions and buttons (with the exception of the Stop Button) will not operate. 2. When seated, short press Stop Button to stop front washing, rear washing or drying functions; When no one is seated, repeatedly press Stop Button, the main unit will switch between functional mode (red light) and energy saving mode (blue light).
	<p>When seated, press Dry Button to start drying function. The drying will stop automatically after one cycle, while it will stop immediately if the user presses Stop Button.</p>
	<p>When seated, press FRONT/MOVE Button to start front washing function and press again to shift to oscillating washing. Press Stop Button to stop front washing immediately.</p>
	<ol style="list-style-type: none"> 1. When seated, press REAR/MOVE Button to start rear washing function and press again to shift to oscillating washing. Press Stop Button to stop rear washing immediately. 2. When no one is seated, press REAR/MOVE Button, the nozzle will stretch out to allow access for cleaning; Press Stop Button, the nozzle will retract.

Note:

1. In energy saving mode, power indicator is off, and energy saving indicator is on. In functional mode, power indicator is on, and energy saving indicator is off; In shutdown mode, all indicators are off.
2. Default settings for all functions are intermediate when powering on. Use remote control to switch to the function level set before.

Troubleshooting guide

Problem	Cause	Solution
No water from nozzle	Water supply hose is kinked	Straighten the hose to remove the kink
	Angle valve is off	Turn on the angle valve
	A water failure occurred	Restore the water supply
Poor water spraying	Water supply hose is kinked	Straighten the hose to remove the kink
	Angle valve is not fully turned on	Turn on the angle valve fully
	Filter is clogged	Clean the filter
Low water temperature	The water temperature is not set properly	Adjust the water temperature
Low seat temperature	The seat temperature is not set properly	Adjust the seat temperature
	In standby mode	Switch to functional mode and wait for 3+ minutes
Low dryer temperature	The dryer temperature is not set properly	Adjust the dryer temperature
Dryer not blowing	In standby mode or energy saving mode	Switch to functional mode to use dry function
Spray wand cannot retract	Power off	Push back the spray wand gently and put power on
	Get stuck by impurities	Remove the impurities
Spray wand cannot stretch out	Power off	Turn on the power
	User is not within the sensing area of the seat	Adjust position on seat to activate the sensor
Remote control cannot display	The positive and negative direction of the batteries is incorrect	Reload the batteries
	Low battery	Replace new batteries
Malfunction of deodorization	User is not within the sensing area of the seat	Adjust position on seat to activate the sensor
	Deodorization function continues after user leaves	It is normal for the deodorizing function to continue operating after user leaves, for complete odor removal.
 Caution	If the problem cannot be resolved as per above solutions, please disconnect the power and contact service providers.	
	If the power leakage protection switch always trips, it means that the product is leaking. Please disconnect the power and contact service providers.	

Product warranty card

Model No.		Customer Name	
Seller		Purchasing Date	
Invoice No.		Customer Contact	
Distributor Stamp		Distributor Phone	

Thank you for choosing our product. This product comes with a 3 year warranty from the purchase date for residential use, covering free parts and repairs for any defects arising from manufacturing issues, provided it is used and installed according to the instructions in the manual and for its intended purposes. For commercial use, the warranty is 12 months. This warranty does not cover defects caused by installation workmanship.

If the product does not function properly within the warranty period, please contact your nearest service center. This certificate must be presented to receive free service under this warranty.

Our company reserves the right to replace the product with a similar model or provide a refund. After the warranty period expires, we can provide repair services at a reasonable charge.


Service charges must be paid even during the warranty period if damage occurs due to any of the following events (including, but not limited to):

1. The user's negligence or mistake in operation, unreasonable repair or alteration.
2. Product are damaged by negligence or mistake during installation.
3. The movement of installation location of the product.
4. Using the product outside of intended use in residential housing or commercial hotels.
5. The use of non specified power supply (voltage, rating pressure)
6. The dirt, sand and impurities that causing invalid operation.
7. Damages due to force majeure (including but not limitation to natural disaster) or other incidents.
8. The user fails to use in compliance with the warning or caution described in the installation manual.

Remark:

Please ensure that the date and seller information are filled in correctly. Any errors may invalidate the warranty. The purchasing date should correspond to the purchasing invoice or receipt. Please retain both this warranty and the invoice/receipt for future repair or maintenance purposes.

Please note that this warranty does not cover consequential damages, incidental damages, or secondary costs arising from the use, installation, or malfunction of this product. This includes, but is not limited to, damages to property, loss of use of the product, or costs incurred for labor, repair, or replacement of other property or fixtures.

A decorative graphic consisting of multiple overlapping, wavy lines in shades of gray, creating a sense of motion and depth. The lines are most prominent in the lower half of the page, framing the text and logo.

The product image may not fully reflect the actual appearance and color due to ongoing improvements. Please refer to the actual product.

ARUVOTM