

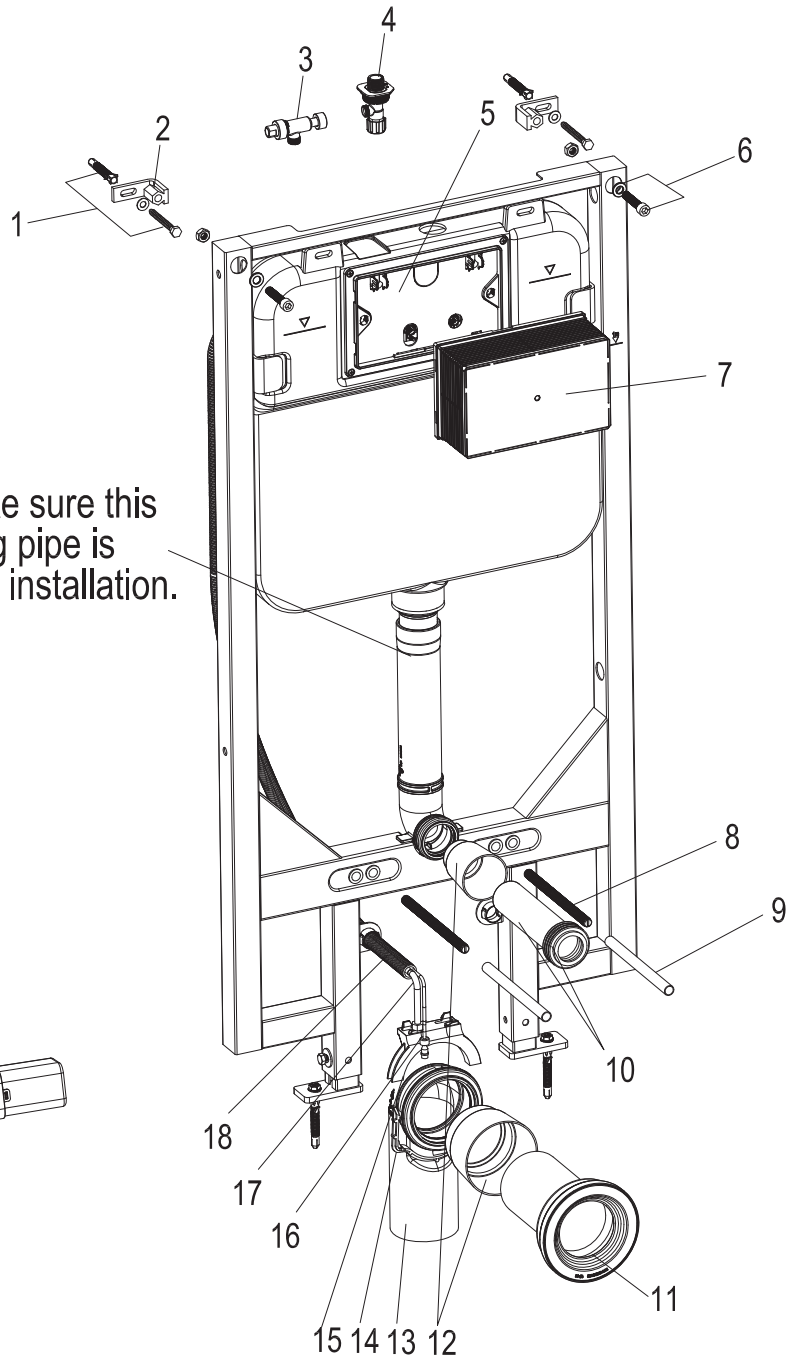
Installation Manual

ELYSIA

Intelligent Toilet Suite In-wall Cistern

SKU: STO-G5-F

Thank you for choosing our product. Please read the instructions carefully before installation and keep it available for future maintenance or reference.



Note: Please make sure this cistern connecting pipe is not broken before installation.

List of main installation accessories:

No.	Description	Qty.	Function
1	Expansion screw	4	To fix metal frame and socket head screw
2	Wall bracket	2	To fix metal frame
3	Three-way valve	1	To connect flexible hose
4	Control valve	1	To turn on/off water inlet
5	Cistern cover	1	To fix locking bracket
6	Socket head screw	2	To mount and lock metal frame to wall bracket
7	Installation box	1	To reserve space for installation of actuator at wall building
8	Metal stud	2	To mount ceramic bowl
9	Protective cover	2	To protect metal stud at wall building
10	Straight pipe	1	To connect between cistern and ceramic bowl
11	Connecting pipe	1	(can be cut based on wall thickness)
12	Dust-proof covers	2	To reserve space for straight pipe and connecting pipe at wall building
13	Sewage bend pipe	1	To discharge waste from toilet
14	Clamp	1	To fix sewage bend pipe
15	Fixing bracket	1	
16	Interface cable	1	To connect smart toilet, provide 12V electricity current and autoflush signal
17	Water supply pipe	1	To supply water to smart toilet
18	Corrugated pipe	2	To protect interface cable and water supply pipe
19	Off-seat autoflush module	1	To activate half flush or full flush with the signal given by smart toilet

Important Instruction:

1. Please adhere to the following installation instructions. We shall not be responsible for failures and losses that are contributed to improper installation.

2. Please confirm the fixation location of frame prior to installation and obtain the finished floor surface. Draw FFL on installation wall and follow it as baseline from ZERO(0) level.


3. The instructions have been composed based in the latest product specifications. We reserve the right to make modifications to the packaging and specifications without providing prior notification.

NOTES:

1. Mount before bricks building;

2. All size unit in mm;

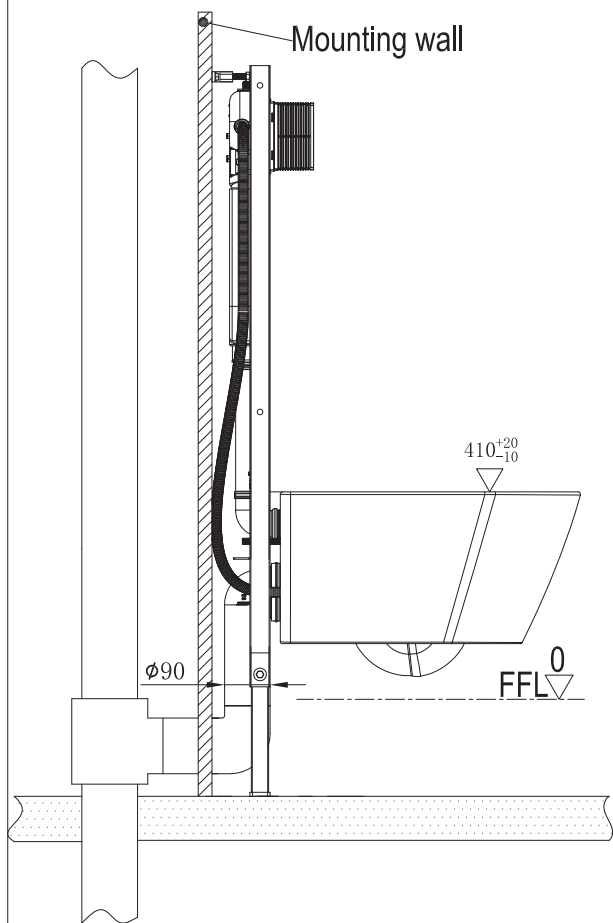
3. Follow the actual product should there is an unconfirmit with drawing.

 FFL ∇ 0 = Finished Floor

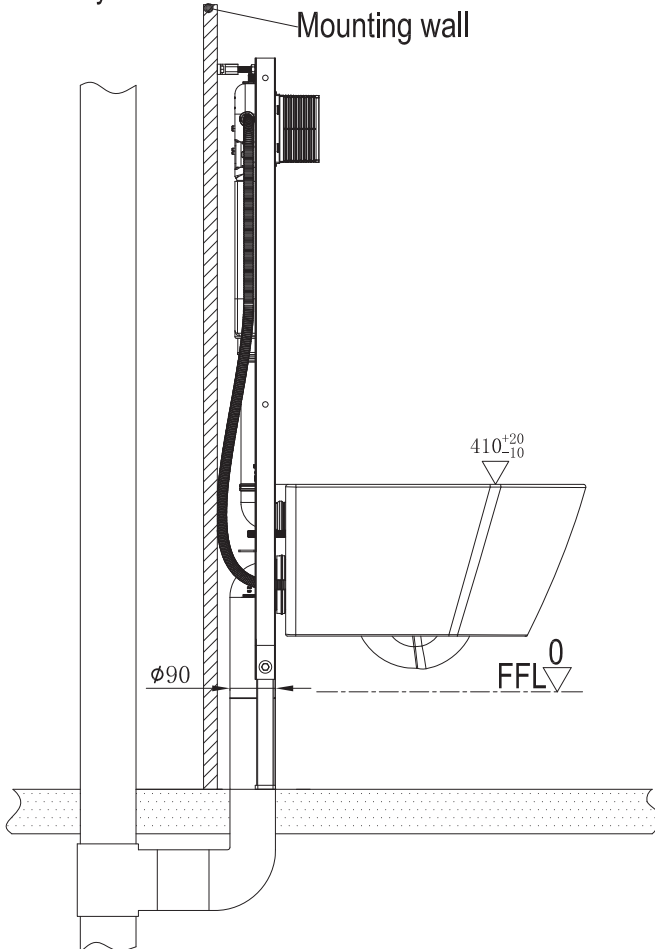
1. Drainage System Layout:

Drawing 1 to 3 are three different installation systems for drain pipe. Customer should confirm whichever installation system according to drainage outlet position. If drainage outlet does not fall within the three systems, customer should follow one of three drainage system layout to correspond installation of our concealed cistern.

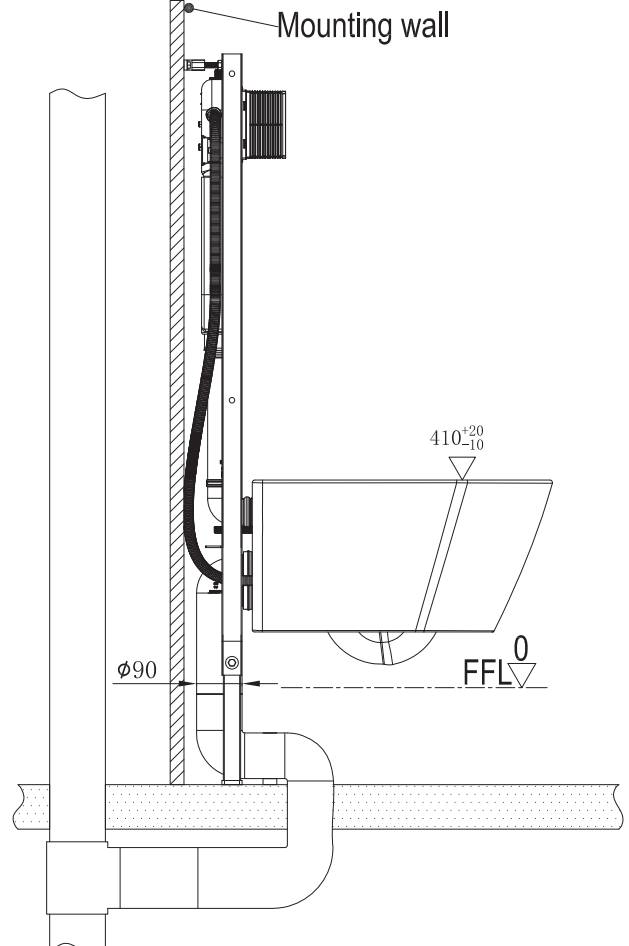
Installation system 1



Installation system 2



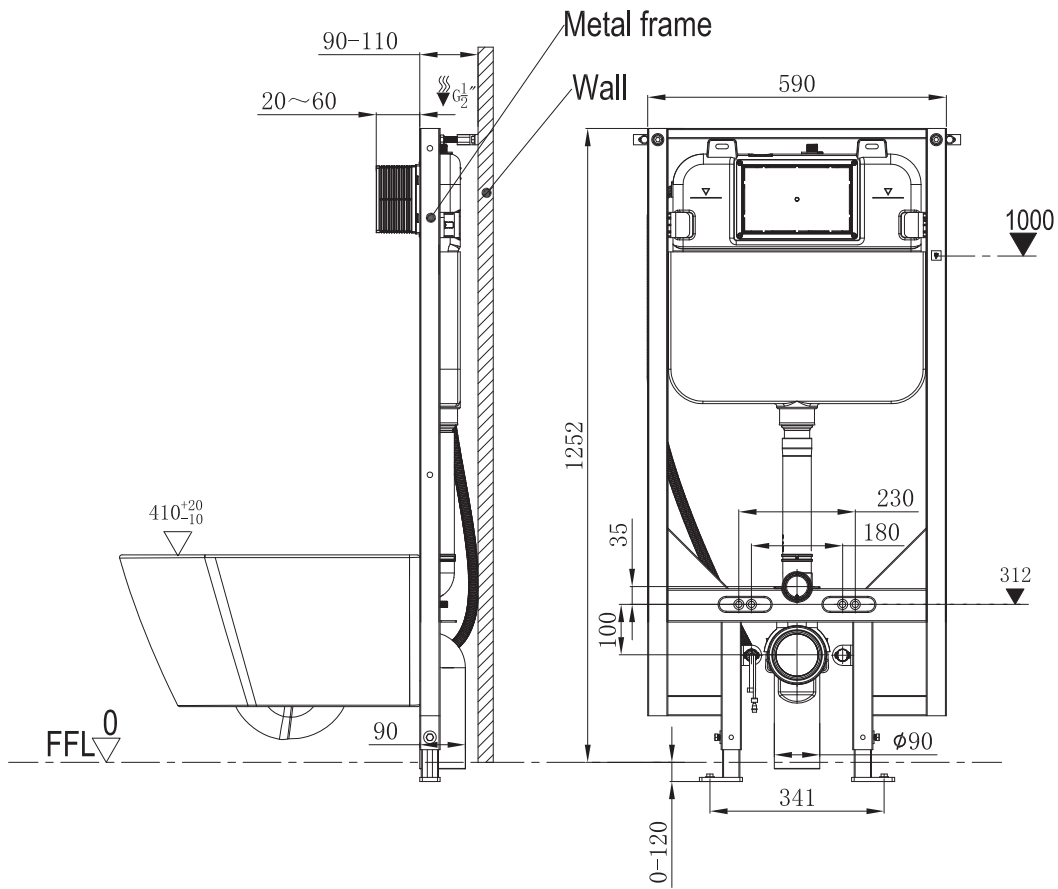
Installation system 3



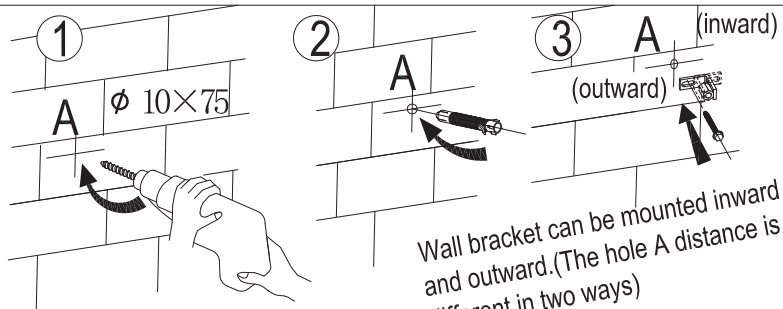
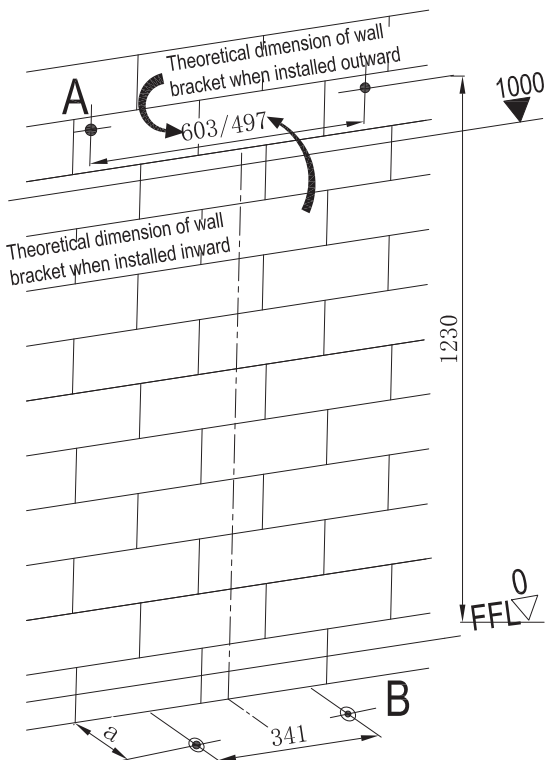
2. General dimension and water supply drawing

Water inlet from top

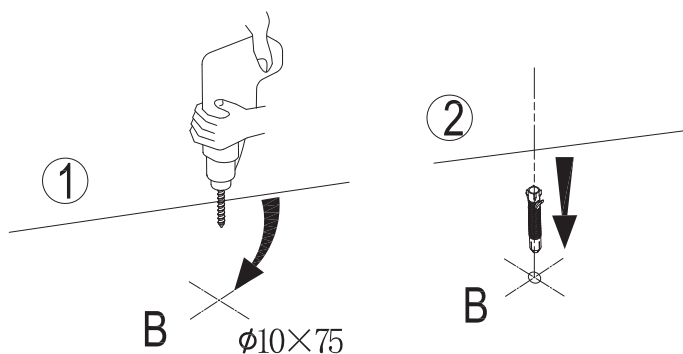
(Water supply pipe should be connected to the control valve of inlet valve)



3. Drill the holes and insert the expansion bolt



Drill a hole $\text{Ø}10 \times 75$ → Insert expansion head → Fix wall bracket into wall

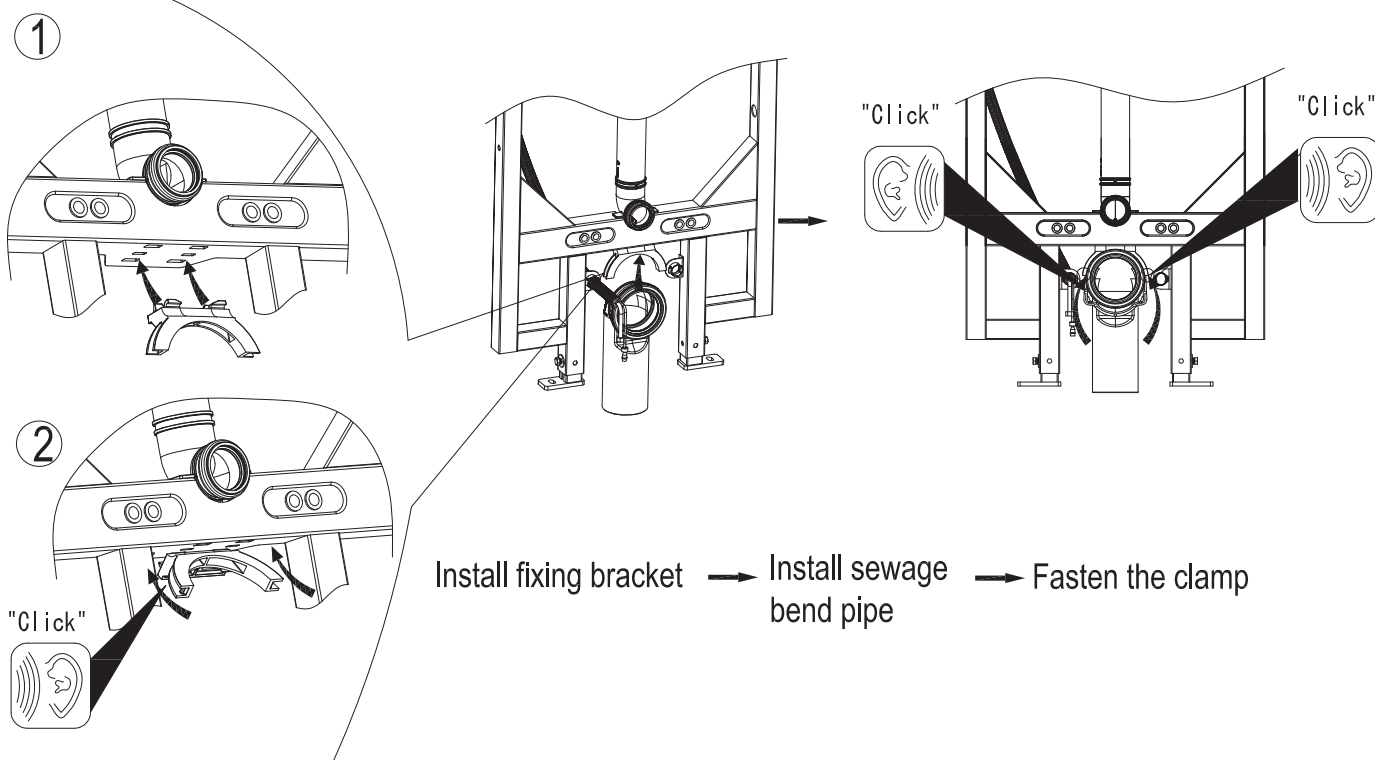


Drill a hole $\text{Ø}10 \times 75$ → Insert expansion head

Size a is decided by the position of discharge pipe.

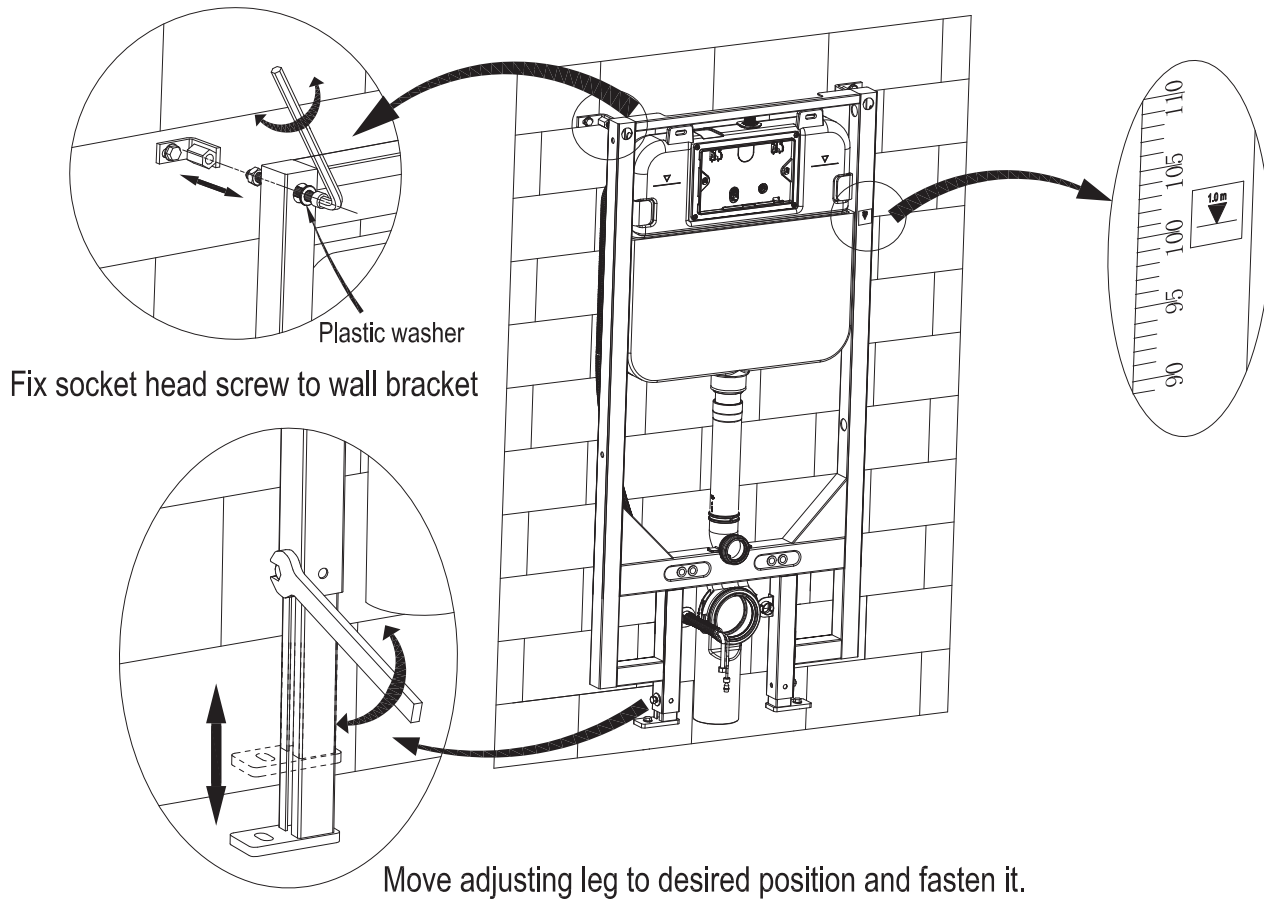
☆ Note: The size of hole drilled is theoretical size, please drill the hole according to the actual position of metal frame.

4. Installation of sewage bend pipe

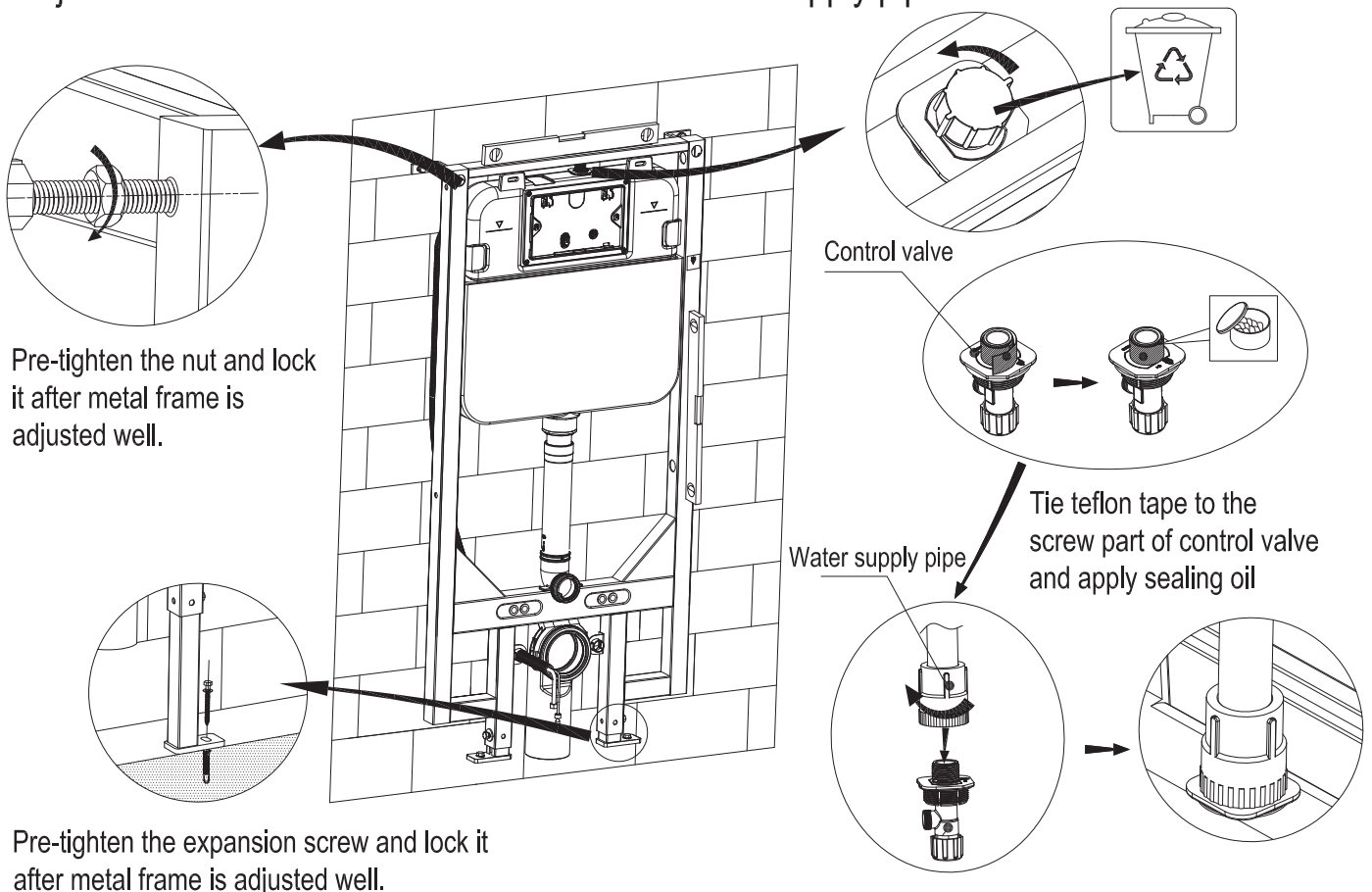


Install fixing bracket → Install sewage bend pipe → Fasten the clamp

5. Adjustment of socket head screw and floor fixing accessories

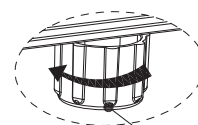
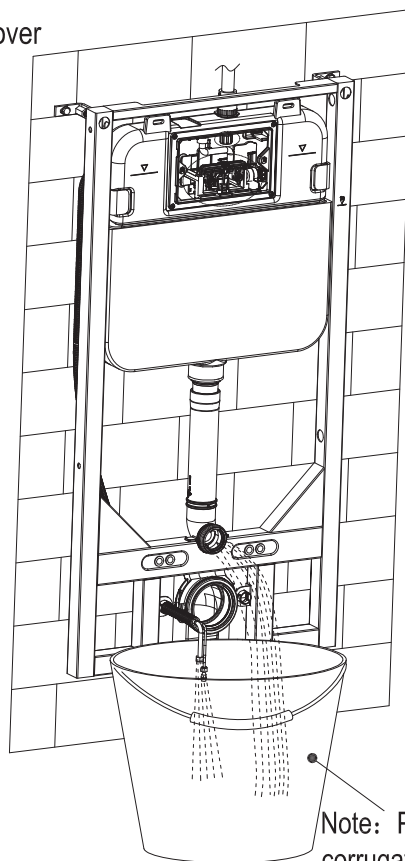
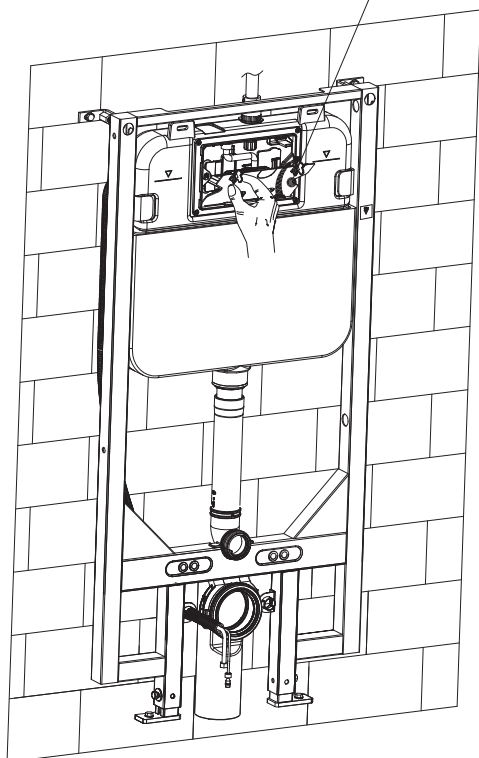


6. Adjustment of metal frame and installation of water supply pipe

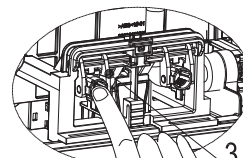


7. Installation of off-seat autoflush module

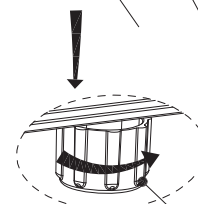
1. Remove the plastic cover



2. Turn on the control valve



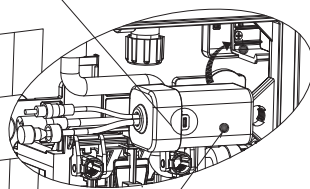
3. Press full flush to check if the flushing of cistern works well



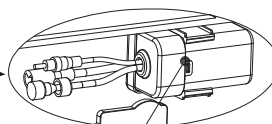
4. Turn off the control valve

Note: Place a bucket under the outlet of corrugated pipe to avoid floor getting wet by water.

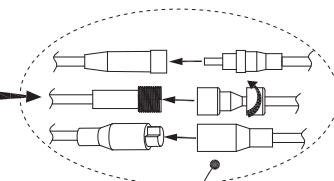
Note: The clip of the module should face outward (as shown drawing)



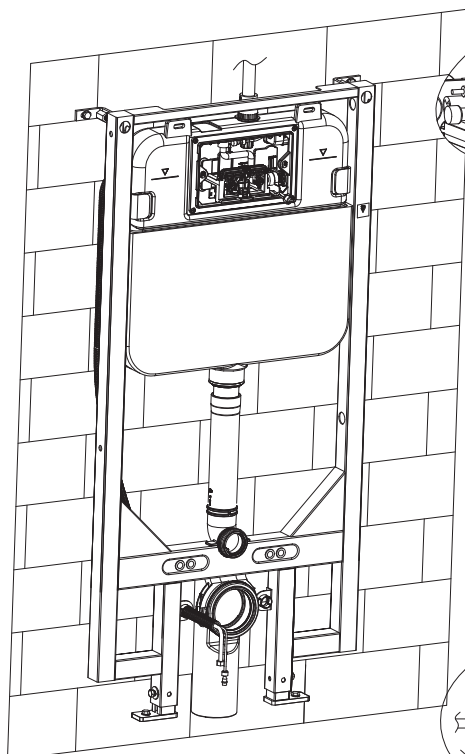
5. Install off-seat autoflush module into the holder of battery box



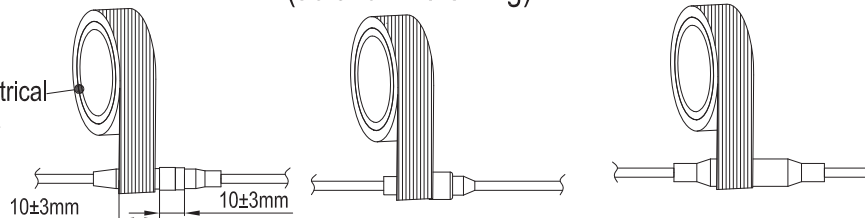
6. Make sure the off-seat autoflush modules installed in right place (as shown drawing)



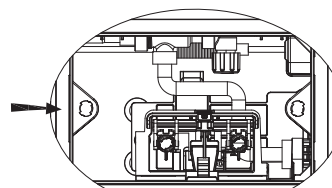
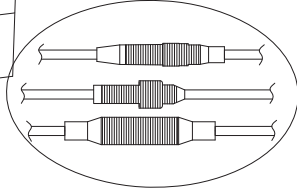
7. Connect cables in same color together (as shown drawing)



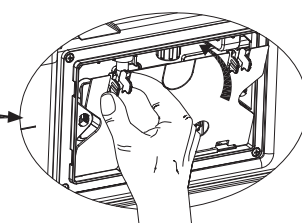
Electrical tape



8. Wrap more than 2 turns electrical tape in the connection gap of 3 electric wires from left 10mm to right 10mm.



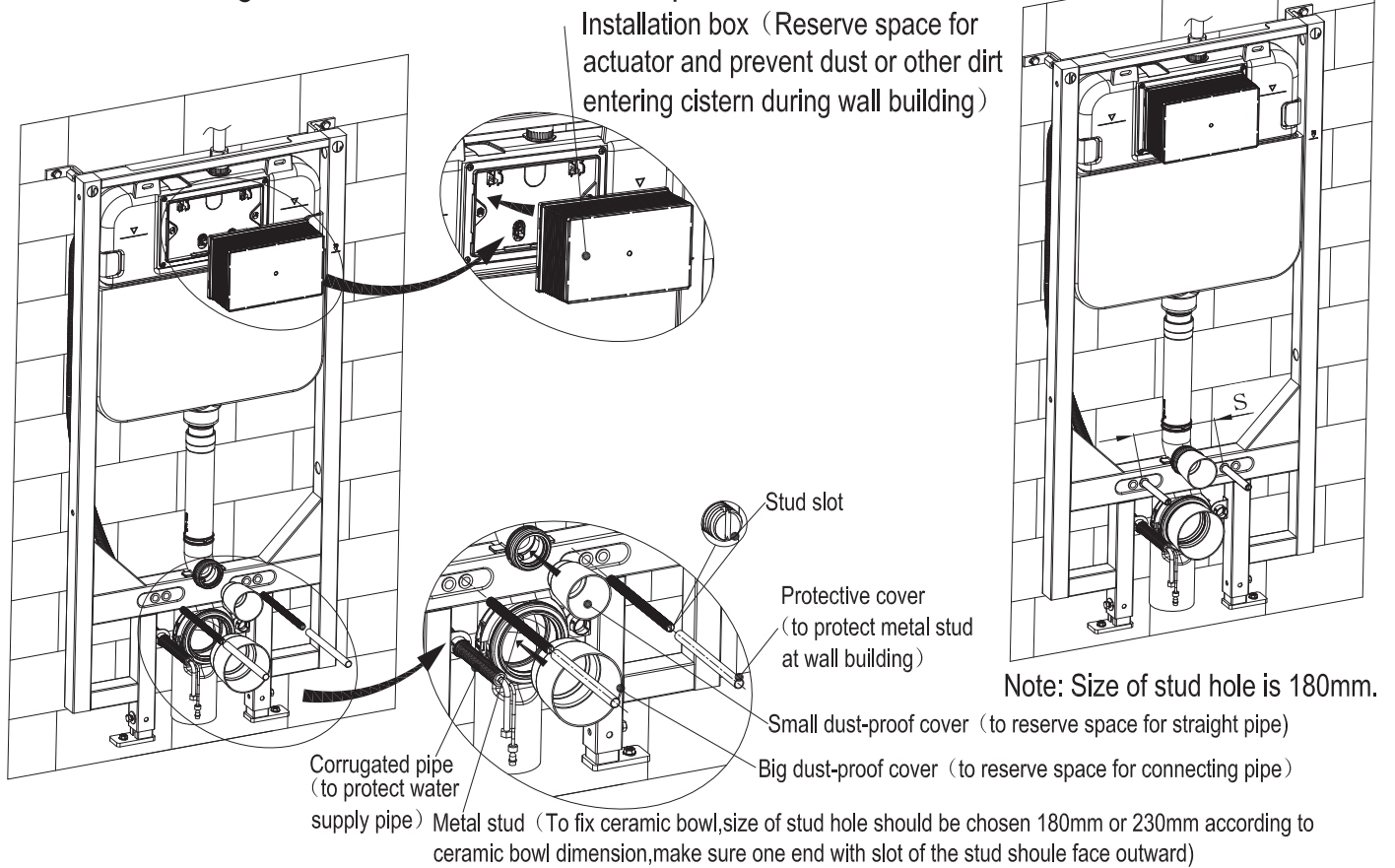
9. Make sure cables not wound in bracket to avoid influencing flushing.



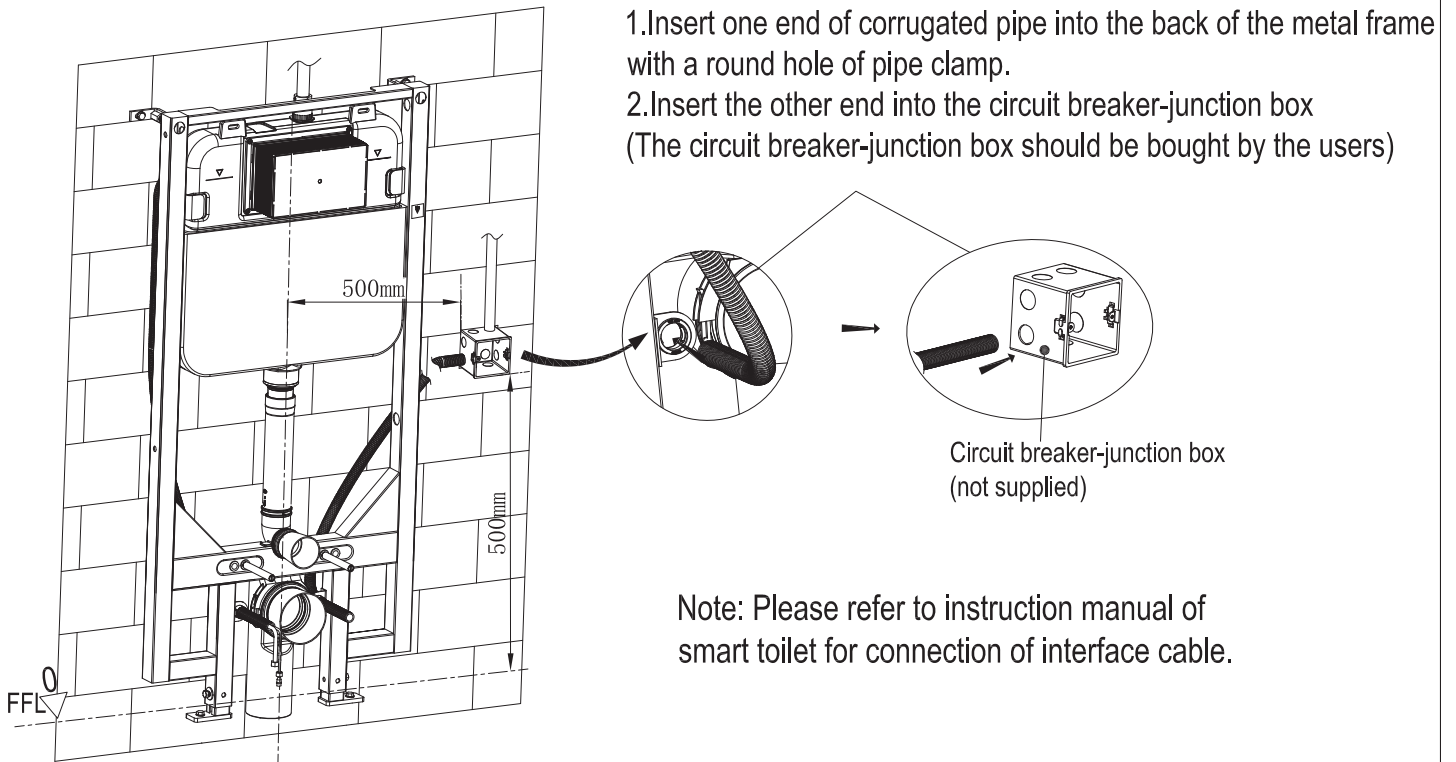
10. Re-install the plastic cover

8. Mounting of installation accessories :

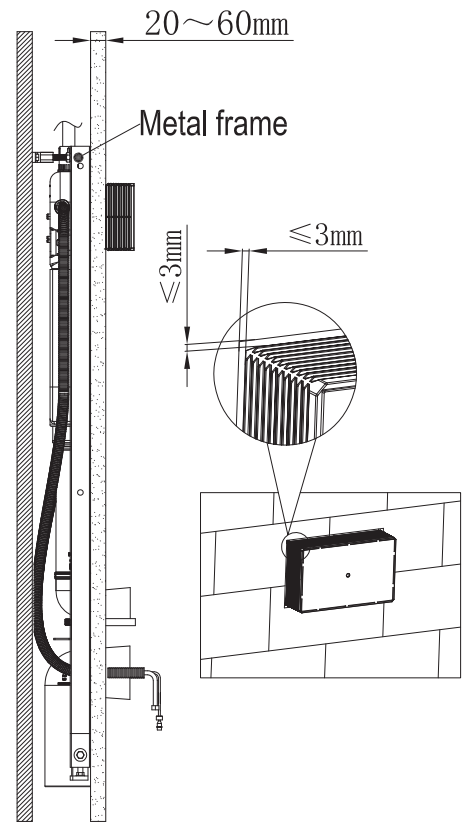
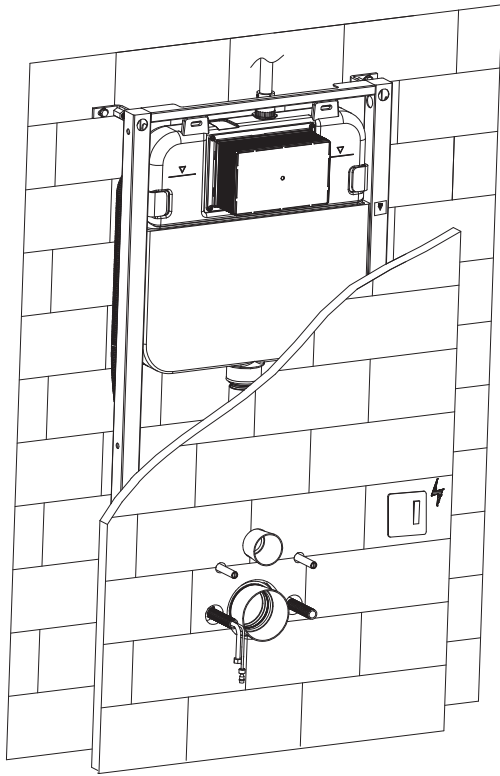
8.1: Mounting of installation box and dust-proof covers



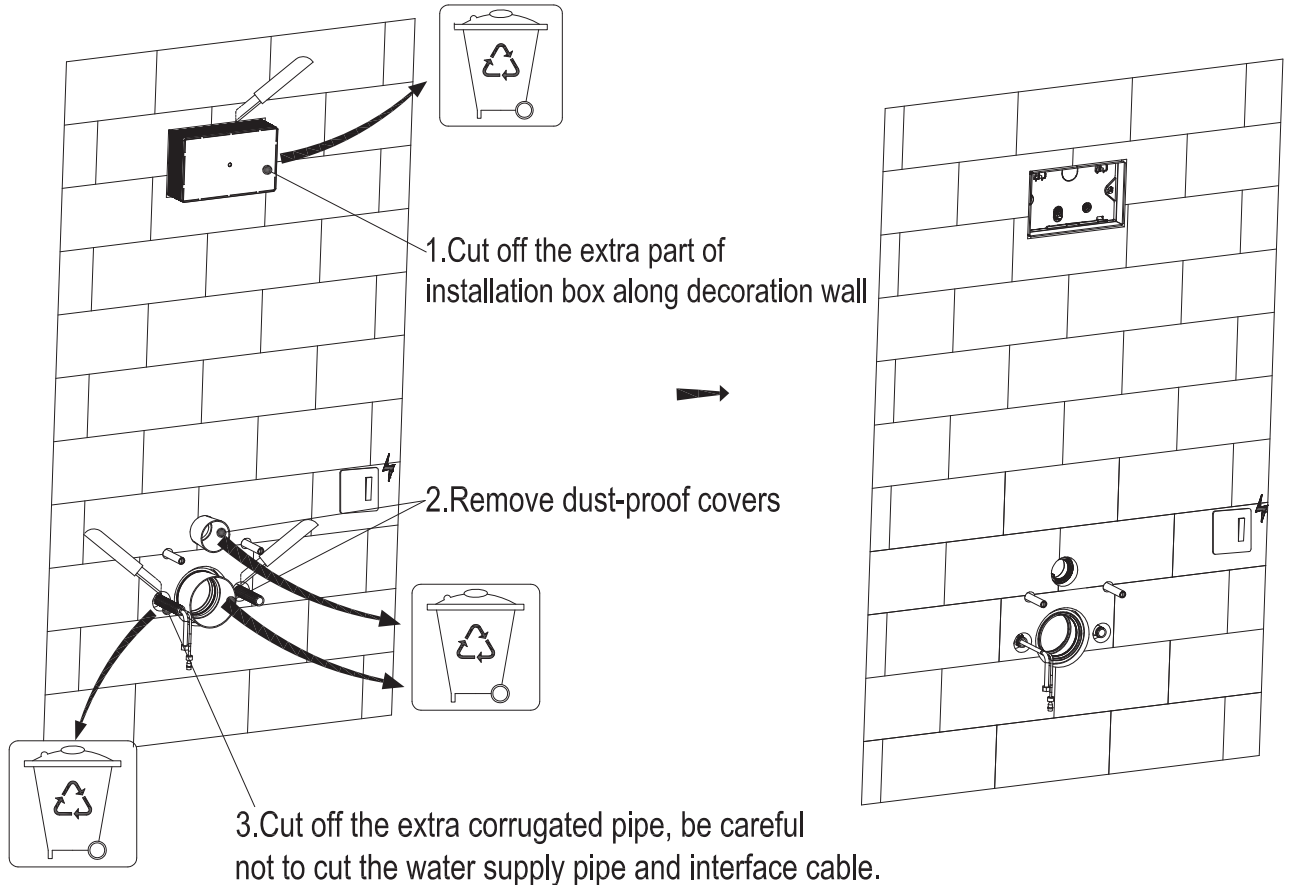
8.2 Installation of corrugated pipe(to protect interface cable)



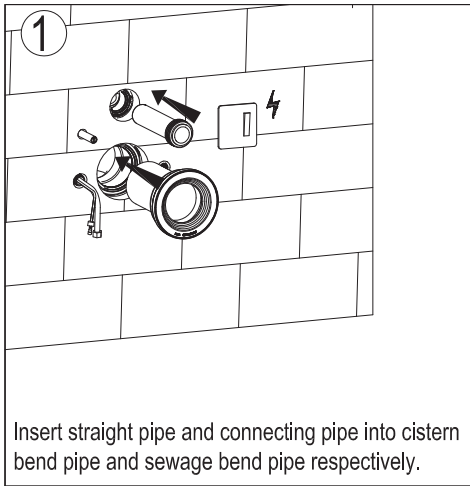
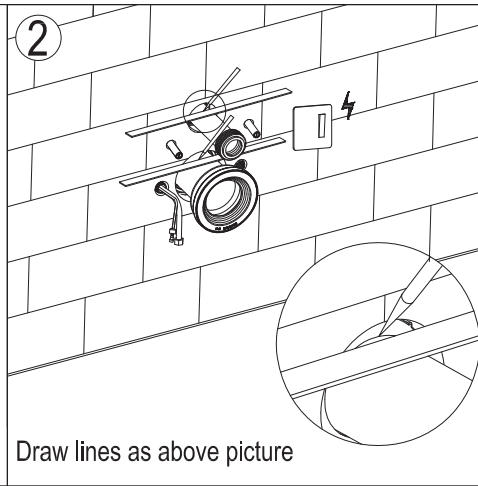
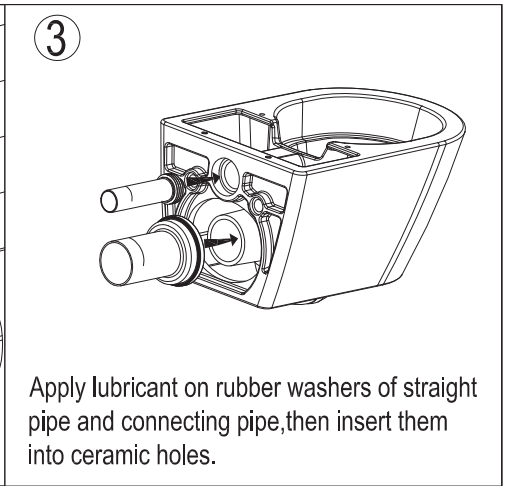
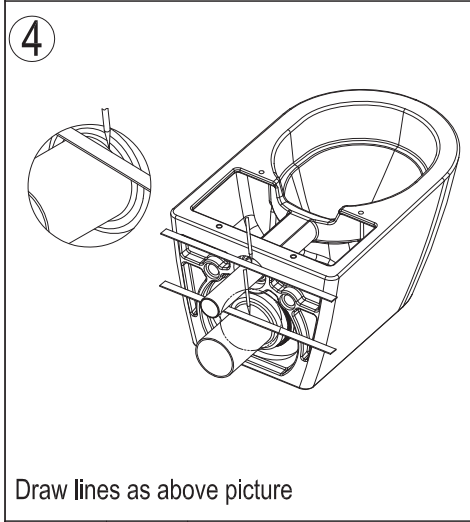
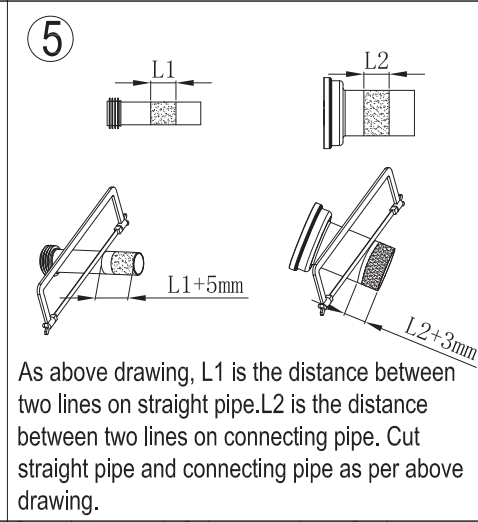
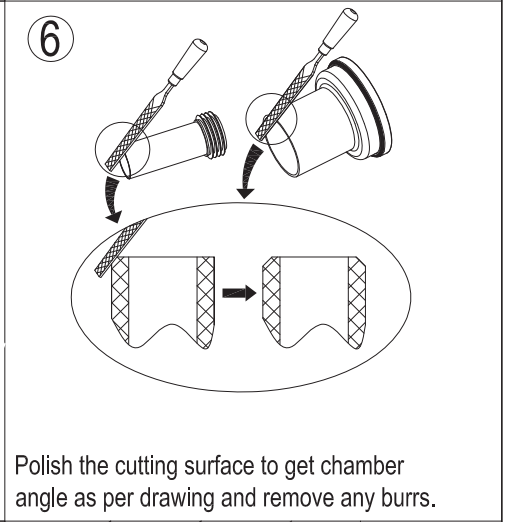
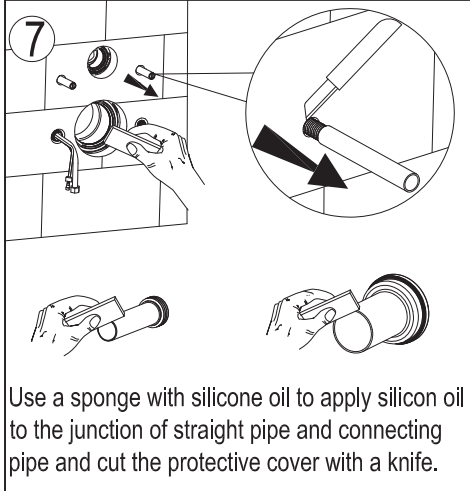
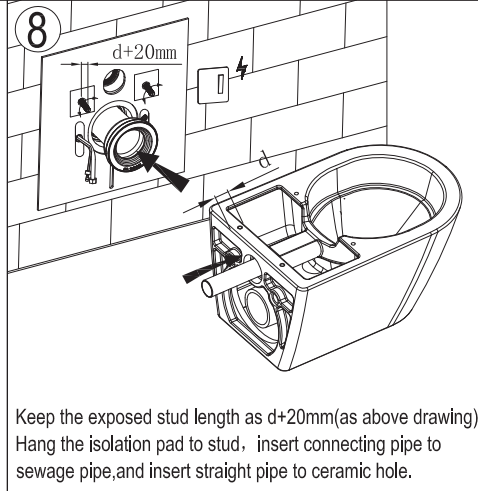
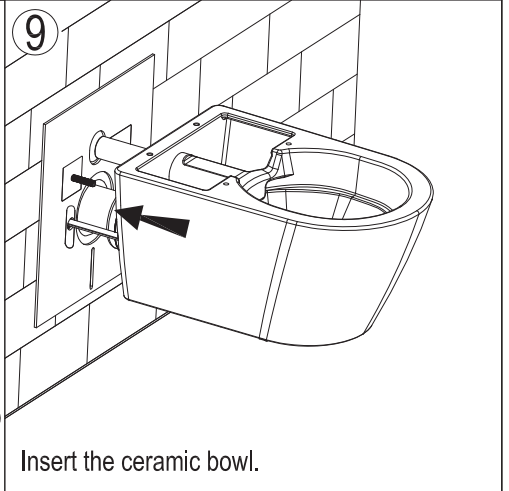
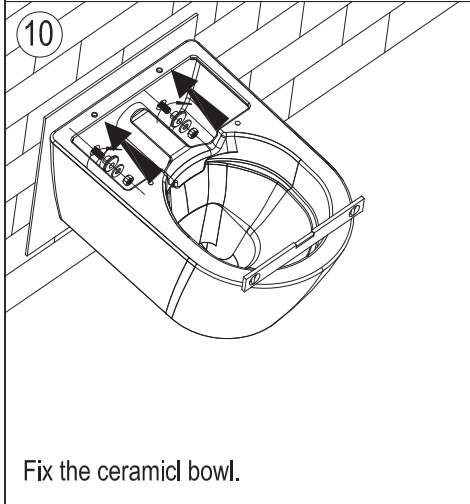
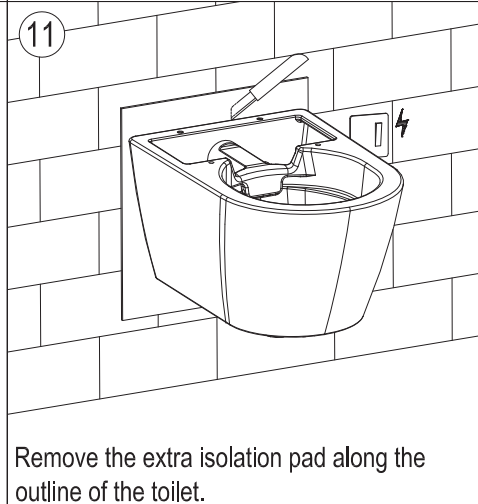
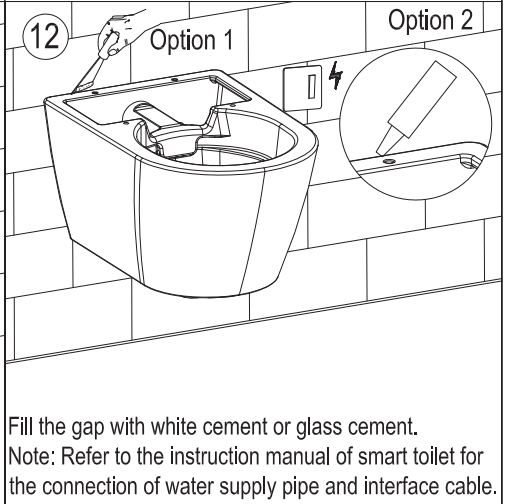
9. Decoration wall thickness range 20~60mm
 (from the outside surface of metal frame to finished wall surface)



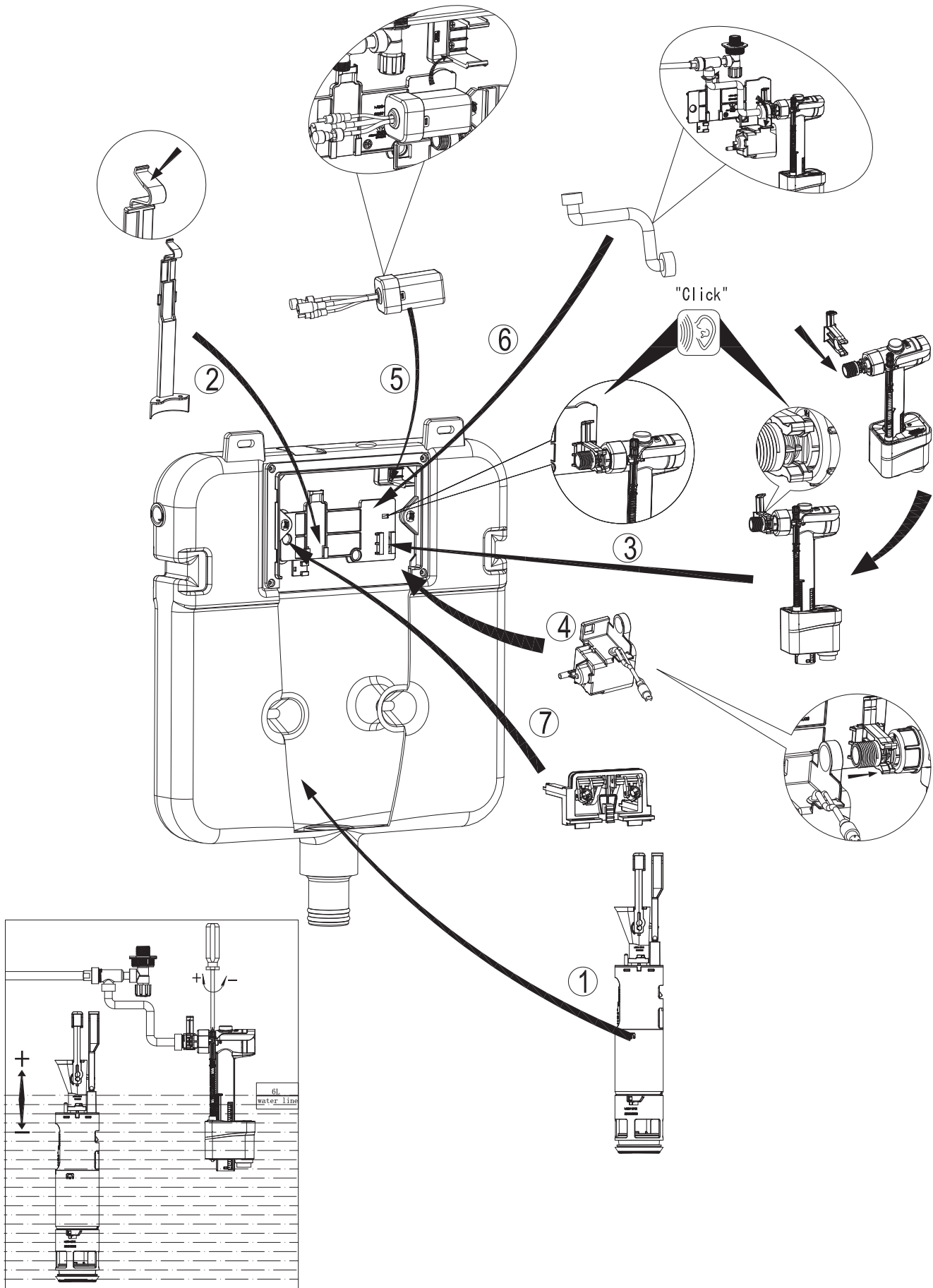
10. Remove extra plastic cover, corrugated pipe and dust-proof covers.




11. Mounting of ceramic bowl

<p>①</p>  <p>Insert straight pipe and connecting pipe into cistern bend pipe and sewage bend pipe respectively.</p>	<p>②</p>  <p>Draw lines as above picture</p>	<p>③</p>  <p>Apply lubricant on rubber washers of straight pipe and connecting pipe, then insert them into ceramic holes.</p>
<p>④</p>  <p>Draw lines as above picture</p>	<p>⑤</p>  <p>As above drawing, L1 is the distance between two lines on straight pipe. L2 is the distance between two lines on connecting pipe. Cut straight pipe and connecting pipe as per above drawing.</p>	<p>⑥</p>  <p>Polish the cutting surface to get chamber angle as per drawing and remove any burrs.</p>
<p>⑦</p>  <p>Use a sponge with silicone oil to apply silicone oil to the junction of straight pipe and connecting pipe and cut the protective cover with a knife.</p>	<p>⑧</p>  <p>Keep the exposed stud length as $d+20\text{mm}$ (as above drawing). Hang the isolation pad to stud. Insert connecting pipe to sewage pipe, and insert straight pipe to ceramic hole.</p>	<p>⑨</p>  <p>Insert the ceramic bowl.</p>
<p>⑩</p>  <p>Fix the ceramic bowl.</p>	<p>⑪</p>  <p>Remove the extra isolation pad along the outline of the toilet.</p>	<p>⑫</p>  <p>Fill the gap with white cement or glass cement. Note: Refer to the instruction manual of smart toilet for the connection of water supply pipe and interface cable.</p>

12. Internal flushing mechanism assembly drawing



The internal flushing mechanism are already well-assembled and above picture only for reference.

A decorative graphic consisting of several overlapping, wavy, grey lines that flow from the left side of the page towards the bottom right. The lines are thin and closely spaced, creating a sense of movement and depth.

The product image may not fully reflect the actual appearance and color due to ongoing improvements. Please refer to the actual product.

ARUVQTM